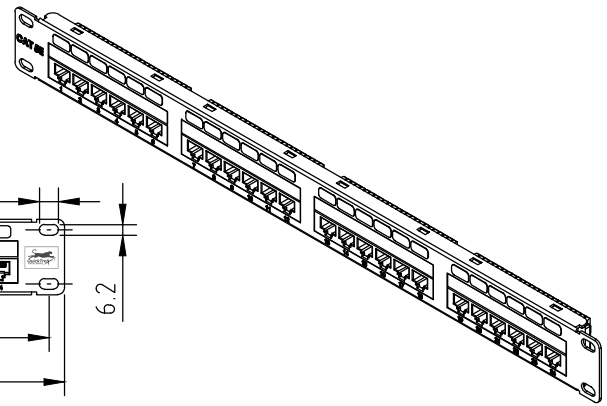
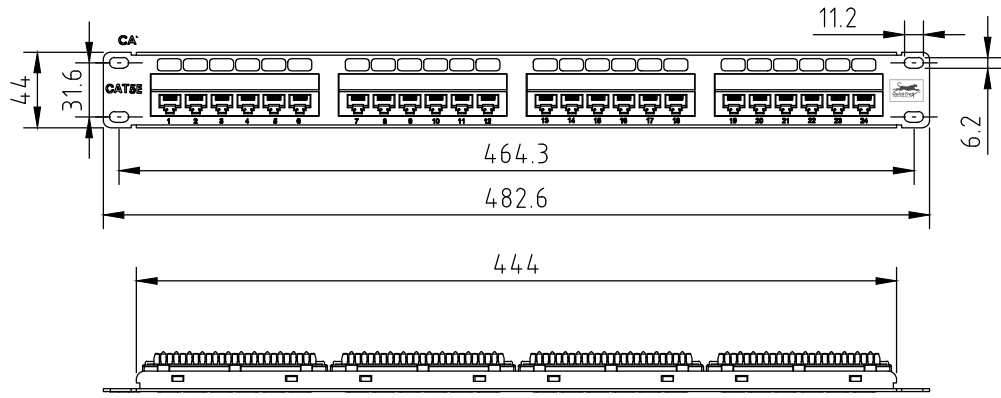
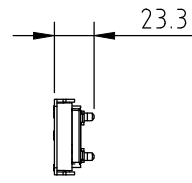




TAA COMPLIANT



MATERIAL

PANEL : SPCC BLACK POWDER PAINTING COAT FINISH
 PANEL HOUSING : ABS UL94V-0 THERMOPLASTIC
 IDC PLASTIC : POLYCARBONATE RESIN HIGH-IMPACT UL94V-0 THERMOPLASTIC
 IDC CONTACT : PHOSPHOR BRONZE C5191R-H, T=0.4MM, 200U" TIN OVER 50U" NICKEL UNDERCOAT
 SPRING WIRE : PHOSPHOR BRONZE C5210R-EH, T=0.35MM, 6U" GOLD OVER 60U" NICKEL UNDERCOAT ON CONTACT AREA, 100U" TIN OVER 60U" NICKEL UNDERCOAT ON SOLDER AREA

PHYSICAL CHARACTERISTICS

SUITABLE IMPACT TOOL : 110KRONEN IMPACT TOOL.
 INSERTION LIFE : 750 MATING CYCLES WITH FCC COMPLIANT RJ-45 PLUG.
 CONTACT FORCE : 100 GRAMS WITH FCC COMPLIANT RJ-45 PLUG.
 PLUG RETENTION FORCE : 11 LBF MIN.
 DURABILITY : 200 TERMINATION CYCLES.
 CONTACT COMPATIBILITY : ACCOMMODATES 22 TO 26 AWG SOLID / 24 AWG STRANDED.
 OPERATING TEMPERATURE RANGE : -10° C TO 60° C.
 STORAGE TEMPERATURE RANGE : -40° C TO 68° C.
 HUMIDITY : 10%-90%RH.

ELECTRICAL

INSULATION RESISTANCE : 500 MΩ.
 DIELECTRIC WITHSTANDING VOLTAGE : 1000 V AC.
 DC CURRENT RATING : 1.5 Amps.
 DC RESISTANCE : 0.1Ω.
 CONTACT RESISTANCE : 20mΩ.

NOTE

A : WILL NOT SUPPORT CHANNEL SHORTER THAN 15M.
 B : DO NOT INSERT RJ-11 6P PLUG.



| | | | | | |
|----------------------|-------|------------|-------|--------------------------|--|
| Scale | | 1:4 | | All Copy Rights Reserved | |
| 3rd Angle Projection | | | | P/N: QT-110PL248-5B | |
| Unit | | mm | | Title | |
| Date | | 2011/08/31 | | A4 | |
| Tolerance | | | | | |
| ~20 | ~50 | ~150 | 150~ | ANGLE | |
| ± 0.2 | ± 0.4 | 0.5 | ± 1.5 | ± 2° | |
| Drawn by | | | | Checked by | |
| Jianshiun | | | | | |

A

A

B

B

C

C

D

1

2

3

4

5

6